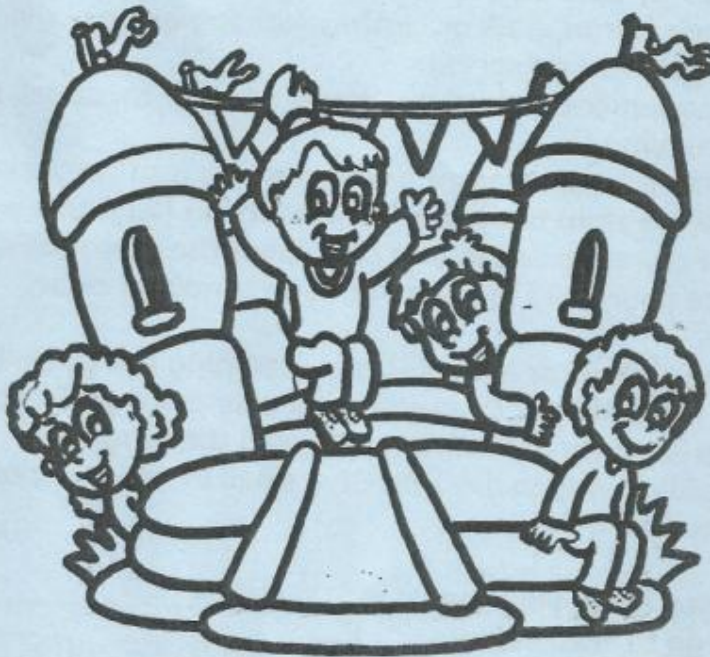


MAMTA MODERN SR. SEC. SCHOOL

HOLIDAY HOMEWORK

CLASS – PREP

2018 -19



NAME: _____

ROLL NO: _____

Holidays are the time to enjoy and have fun. However, it is good to devote some time to keep your child in touch with whatever has been taught in school.

Dear Parents,

The school bell may stop ringing, but summer is the great time for all kinds of learning opportunities for kids. We request the parents to encourage their child for few things which we are mentioning below.

- Make your child independent so that they are able to do their small tasks by themselves (buttoning or unbuttoning their shirts, folding their apron mats or clothes, zipping or unzipping, learn to wear their shoes and socks).
- Time management should be there. Parents must set time each day for studying.
- Practice the concepts learnt in the class on regular basis.
- Supervise the child to do the worksheets on her/his own.
- Take your child for outing and talk about the surroundings.
- Encourage your child to keep your surroundings clean.

Communication skills play a pivotal role grooming the overall personality of the children. Converse with your child preferably in English to help her/him get comfortable with the language. Use small vocabulary words in day to day life. Give small instructions to your child in English like:

1. Shut the door. Bring your toys
2. If wants to go to washroom.
*May I go for CONVENIENCES?
3. If wants to go to drink water.
*May I QUENCH MY THIRST?
4. If wants to come in the room.
*May I ENTER THE ROOM?
5. When the work is done.
*I have done / finished /completed my work.
6. If wants something from someone
*Please give me .

यदि टायलेट जाना -चाहे

यदि पानी पीने जाना -चाहे

यदि कमरे के अन्दर आना हो

जब कार्य खत्म हो

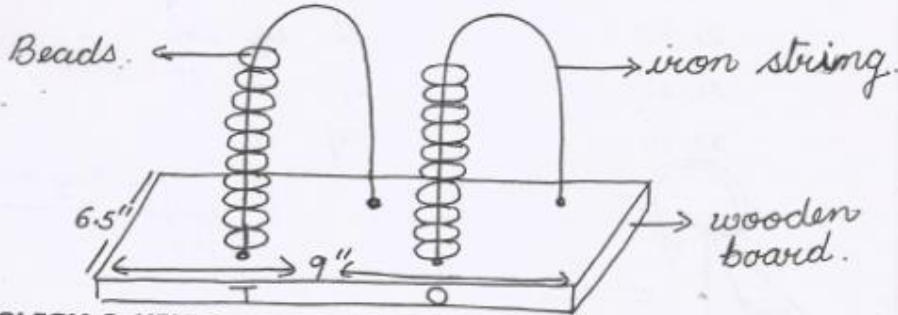
Kindly make the children learn all the above lines thoroughly.

PROJECT WORK

MATHS -: Abacus

Take an empty box. Put 10 beads in the craft wire. Make holes on both the ends of the box. Insert wire through holes bend the ends towards the inside of boxes and paste with cello tape. Paste colourful papers outside the box and write "O" for one's Position and 'T' for tens Position. *Size - 6.5" X 9"*.

PURPOSE: Purpose of Abacus is to make student learn Addition & Subtraction.



ENGLISH & HINDI: - Sound and Vyanjan Keychain

Make a vyanjan or sound keychain (Take a pastel sheet of A4 size) cut into half. On first card write vyanjan or sound and on rest card draw or paste pictures of given vyanjan. Punch the cards from top left side; now put them in a keychain. Kindly laminate all the sheets of both the keychains.

PURPOSE: This activity will help children to learn vyanjan and sounds in easy way.

Roll No.

1, 2

3, 4

5, 6

7, 8

9, 10

11, 12

vyanjans & sounds.

ट ठ ढ

द प ष

फ व ड

ब क र

स ख घ

ग म भ

13, 14

त न ल

15, 16

च ज श

17, 18

य थ झ

19, 20

छ ह ष

21, 22

an sh ag

23, 24

am od of

25, 26

ot og ox

27, 28

un up ug

29, 30

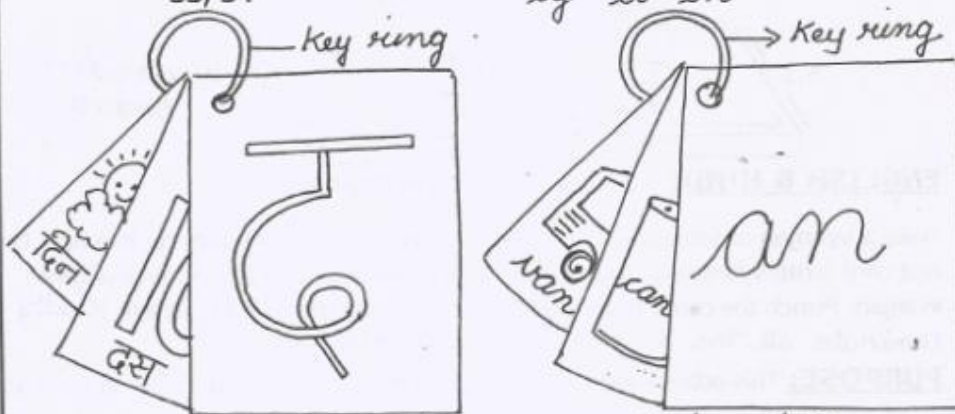
ut iq in

31, 32

ip id it

33, 34

eg et en



5 picture cards + 1 heading card for both
alphabet and vyanjan keychain.

DRAW AND COLOUR:-

Draw at least two free hands drawing per week in the sketch book.

PURPOSE:-

Free hand drawing is one of the activity which a parent can incorporate into their child's daily routine. For the development of hand - eye coordination, which is itself crucial for the overall physical development of the child and is the basis for other creative activities.

MY DREAM HOLIDAY

At the moment, you're probably stuck with going on a holiday wherever your family decides.

But if it was just up to you - what would you do?
Dream on !!

PASTE THE PICTURES

Where I would go

What I would do

Who I would go with

My ideal food

STORY BOOKS:-

Kindly help your ward to inculcate the habit of reading by encouraging them to read a story book. Children have to find 2,3 letter words with the help of Parents. Parents will also help child to learn those words. Write name and session (2018-19) on Story book and send that book to school.

SUGGESTIVE READING BOOKS:

- The sick lion
- The ugly duckling
- The very hungry caterpillar
- Goldilocks and the Three bears
- Making friends

NOTE:

" [HTTPS://GOO.GL/IMAGES/YRP5BN](https://goo.gl/images/yrp5bn) "

https://images.google.co.in/imgres?imgurl=https%3A%2F%2Fmedia.timeout.com%2Fimages%2F103072347%2Fimage.jpg&imgrefurl=https%3A%2F%2Fwww.timeout.com%2Flondon%2Fkids%2Fthe-100-best-childrens-books&docid=zvddbJURiDm4M&tbnid=UV_cVtfEYXk6tM%3A&vet=1&w=2048&h=1536&source=sh%2Fx%2Fim

you can go to this link for more books.

SUBMISSION OF HOLIDAY'S HOMEWORK IS SCHEDULED AS:

English & Hindi: 4th July 2018
Maths: 6th July 2018
E.v.s & General: 9th July 2018

*HAPPY
Holidays*

- ❖ Kindly download the holiday's homework worksheets from school Website on 24th May 2018.
- ❖ Holiday's homework should be neat, presentable and fully labelled with child's name.

Summer vacations: 21st May 2018 to 1st July 2018.

School will reopen on 2nd July 2018 at (regular timings).

I AM IN CLASS PREP NOW!!

THESE ARE THE THINGS THAT I KNOW...

2. BUTTON YOUR SHIRT



YES / NO,
I will learn it during
Summer Vacations.

1. TYING OF SHOE LACES



YES / NO,
I will learn it during
Summer Vacations.

5. CAN ZIP-UP My Jacket/Trouser/Bag



YES / NO,
I will learn it during
Summer Vacations.

4. SPREADING Jam/Cheese/ Butter on my bread



YES / NO,
I will learn it during
Summer Vacations.

COLOUR
THE PICTURE

3. KEEPING MY ROOM CLEAN



Yes / No, I will learn it
during summer vacations.

